

SCREW/DN30-DN76

VITE/GRANDI DIMENSIONI
SCREW COUPLINGS/BIG DIMENSIONS
SCHRAUBKUPPLUNGEN/GROSSE BG
COUPLEURS A VISSER/GRANDES TAILLES

Caratteristiche tecniche

- Intercambiabilità: disegno Dnp
- Occlusione: valvola
- Aggancio: a vite
- Materiale: acciaio
- Finitura: Zn-Fe (Cr III)
- Filettature: BSP - NPT - RC
- Guarnizioni standard: NBR
- Temperatura d'esercizio: -25 °C +100 °C
- Guarnizioni opzionali: FKM, EPDM o altro
- Pressioni di esercizio: 100-160 bar
- Connessione in pressione: non consigliata

Technical data

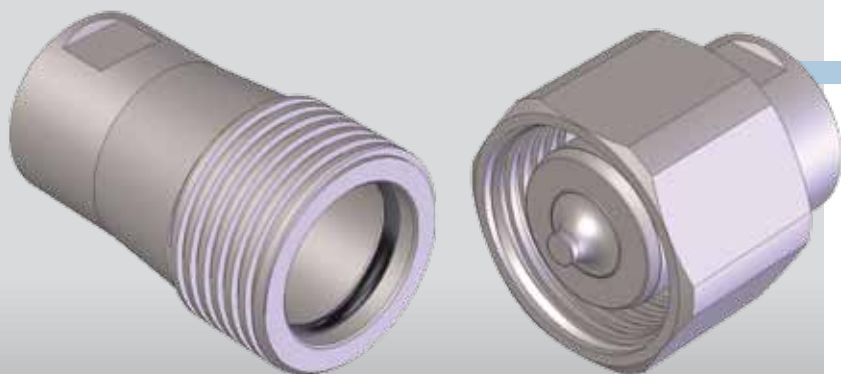
- Interchange: Dnp profile
- Occlusion: poppet
- Locking: screw
- Material: steel
- Finishing: Zn-Fe (Cr III)
- Threads: BSP - NPT - RC
- Standard seals: NBR
- Working temperature: -25 °C +100 °C
- Optional seals: FKM, EPDM or more
- Working pressure: 100-160 bar
- Connection under pressure: not suggested

Technische Merkmale

- Austauschbarkeit: Dnp Zeichnung
- Verschluss: ventil
- Kupplung: Schraubweise
- Werkstoff: Stahl
- Ausführung: Zn-Fe (Cr III)
- Gewinde: BSP - NPT - RC
- Standard-Dichtungen: NBR
- Betriebstemperatur: -25 °C +100 °C
- Dichtungen nach Wahl: FKM, EPDM, usw.
- Betriebsdruck: 100-160 bar
- Kuppeln unter Druck: nicht empfohlen

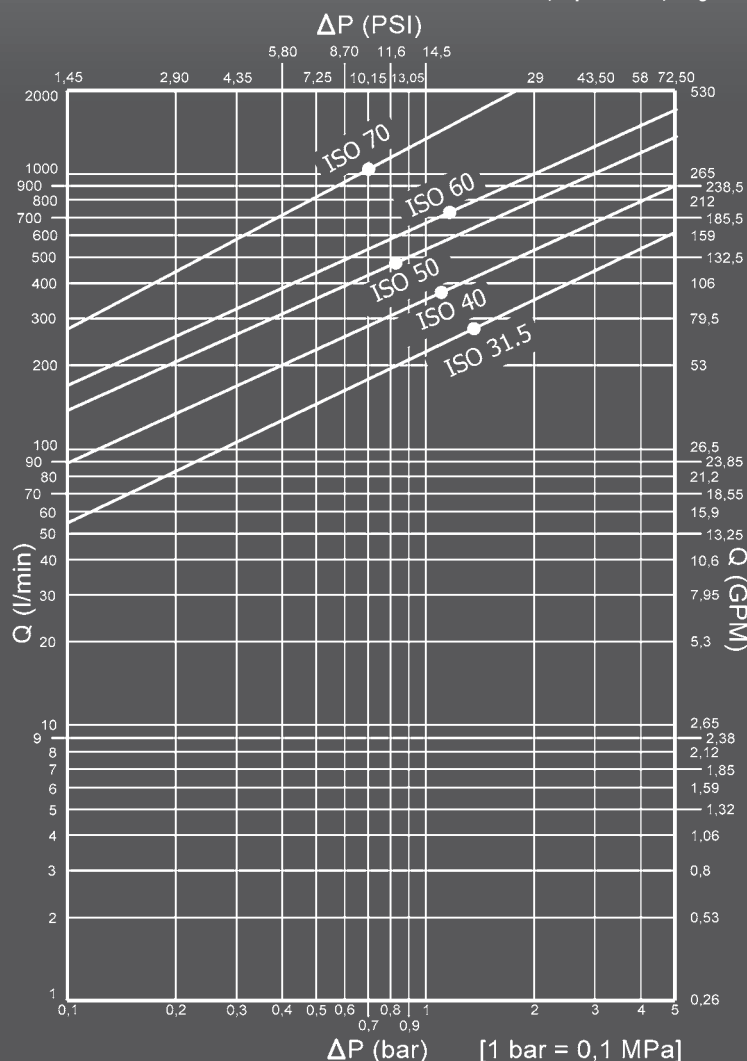
Caracteristiques techniques

- Intercambiabilità: projet Dnp
- Obturation: clapet
- Accrochage: a vissé
- Matériel: acier
- Traitement: Zn-Fe (Cr III)
- Taraudage: BSP - NPT - RC
- Joints standard: NBR
- Température de service: -25 °C +100 °C
- Joints facultatifs: FKM, EPDM, ect.
- Pression de service: 100-160 bar
- Connexion sous pression: non conseillée

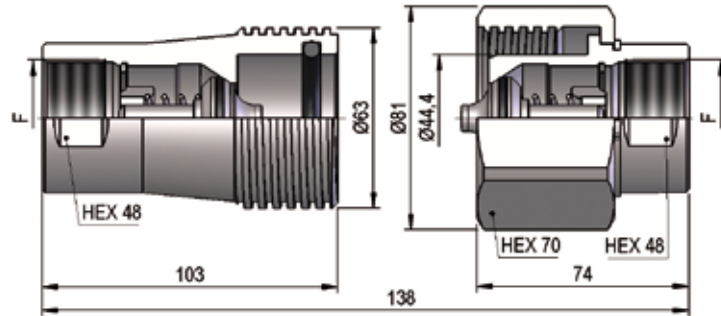


Nominal size				Max working pressure MPa	Rated flow l/min	Max flow rate l/min	Min burst pressure			Fluid spillage cc
DNP	BG	ISO	mm				Male	Female	Coupled	
30	6	31.5	21,1	16	288	480	64	64	64	30
39	7	40	24,7	14	379	700	56	56	56	54
50	8	50	47,2	12	757	1000	50	50	50	120
63	9	60	58	12	800	1100	40	40	40	135
76	10	70	71	10	1100	1700	35	35	35	150

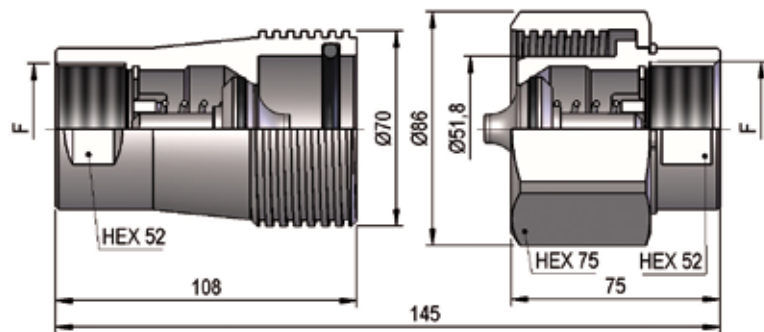
1 MPa = 145,04 psi • 1 l = 0,264 gal



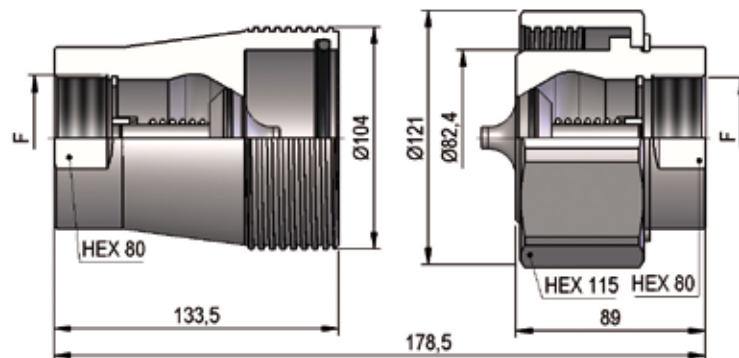
ΔP (bar) [1 bar = 0,1 MPa]

VIV1 DN30 - BG 6 - ISO 31.5


F	STANDARD	FEMMINA - FEMALE - MUFFE - FEMELLE			MASCIO - MALE - STECKER - MALE		
		COD. F	Weight (g)	Packaging (pcs.)	COD. M	Weight (g)	Packaging (pcs.)
BSP 1"¼	DIN 3852-2-X	VIV1.3031.002	1026	12	VIV1.3031.003	973	11
NPT 1"¼	ANSI B1.20.3	VIV1.3031.012	1038	12	VIV1.3031.013	979	11
RC 1"¼	UNI ISO 7/1	VIV1.3031.042	1038	12	VIV1.3031.043	1032	11

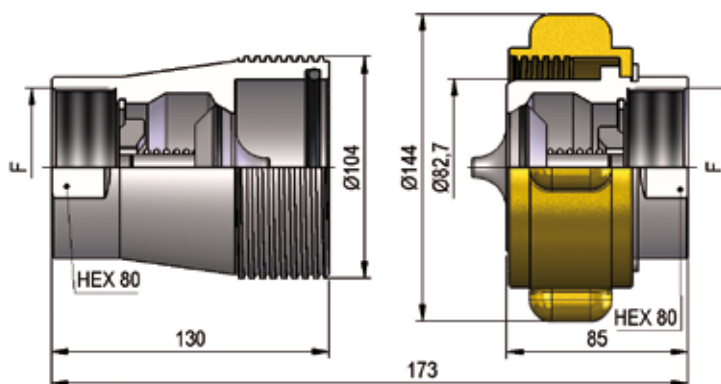
VIV1 DN39 - BG 7 - ISO 40


F	STANDARD	FEMMINA - FEMALE - MUFFE - FEMELLE			MASCIO - MALE - STECKER - MALE		
		COD. F	Weight (g)	Packaging (pcs.)	COD. M	Weight (g)	Packaging (pcs.)
BSP 1"½	DIN 3852-2-X	VIV1.3939.002	1217	11	VIV1.3939.003	1090	8
NPT 1"½	ANSI B1.20.3	VIV1.3939.012	1236	11	VIV1.3939.013	1109	8
RC 1"½	UNI ISO 7/1	VIV1.3939.042	1236	11	VIV1.3939.043	1109	8

VIV1 DN50 - BG 8 - ISO 50


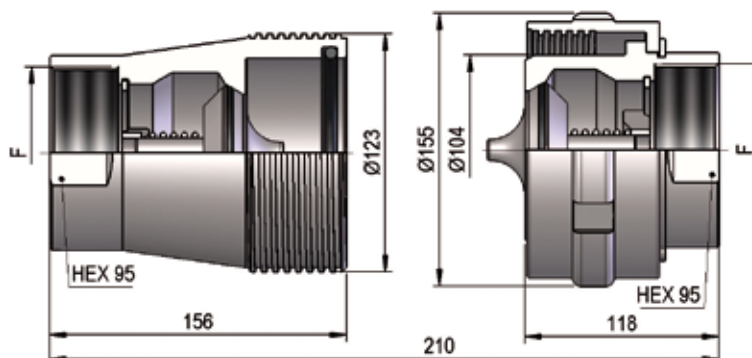
F	STANDARD	FEMMINA - FEMALE - MUFFE - FEMELLE			MASCIO - MALE - STECKER - MALE		
		COD. F	Weight (g)	Packaging (pcs.)	COD. M	Weight (g)	Packaging (pcs.)
BSP 2"	DIN 3852-2-X	VIV1.5051.002	3610	4	VIV1.5051.003	3550	3
NPT 2"	ANSI B1.20.3	VIV1.5051.012	3640	4	VIV1.5051.013	3570	3

VIV1 DN63 - BG 9 - ISO 60



F	STANDARD	FEMMINA - FEMALE - MUFFE - FEMELLE			MASCHIO - MALE - STECKER - MALE		
		COD. F	Weight (g)	Packaging (pcs.)	COD. M	Weight (g)	Packaging (pcs.)
BSP 2"½	DIN 3852-2-X	VIV1.6363.002	3460	5	VIV1.6363.003	3220	3
NPT 2"½	ANSI B1.20.3	VIV1.6363.012	3490	5	VIV1.6363.013	3280	3

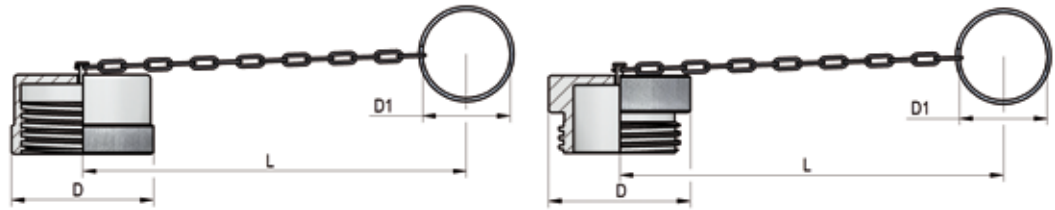
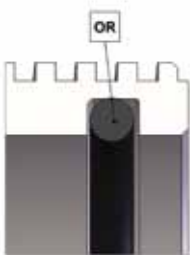
VIV1 DN76 - BG 10 - ISO 76



F	STANDARD	FEMMINA - FEMALE - MUFFE - FEMELLE			MASCHIO - MALE - STECKER - MALE		
		COD. F	Weight (g)	Packaging (pcs.)	COD. M	Weight (g)	Packaging (pcs.)
BSP 3"	DIN 3852-2-X	VIV1.7676.002	4750	2	VIV1.7676.003	5340	2
NPT 3"	ANSI B1.20.3	VIV1.7676.012	5310	2	VIV1.7676.013	5900	2

METAL CAPS

NOMINAL SIZE			FEMALE DUST PLUG				MALE DUST CAP				MATERIAL		
DNP	BG	ISO	COD. F	Dimensions			Weight	COD. M	Dimensions			Weight	
				D	L	D1	(g)		D	L	D1	(g)	
30	6	31.5	SVIV.30002	69	270	46	111	SVIV.30003	69	210	46	167	Aluminum
39	7	40	SVIV.39002	78	270	46	176	SVIV.39003	78	220	46	210	Aluminum
50	8	50	SVIV.50002	115	285	46	421	SVIV.50003	115	240	46	542	Aluminum
63	9	60	SVIV.63002	115	285	46	630	SVIV.63003	115	240	46	650	Aluminum
76	10	70	SVIV.76002	140	400	46	835	SVIV.76003	136	345	46	855	Aluminum


SPARE PARTS


NOMINAL SIZE			FEMALE GASKET
DNP	BG	ISO	OR (NBR*)
30	6	31.5	VIV.030.120
39	7	40	VIV.039.120
50	8	50	VIV.050.120
63	9	60	VIV.063.120
76	10	70	VIV.076.120

* AL CODICE DELLA GUARNIZIONE IN NBR AGGIUNGERE 'E' PER EPDM O 'V' PER VITON

TO THE NBR GASKET CODE ADD 'E' FOR EPDM OR 'V' FOR VITON

ZU DER ARTIKELNR. DER NBR DICHTUNG GEBEN SIE 'E' FUER EPDM ODER 'V' FUER VITON AN

AU CODE DU JOINT EN NBR JOINDRE 'E' POUR EPDM OU 'V' POUR VITON